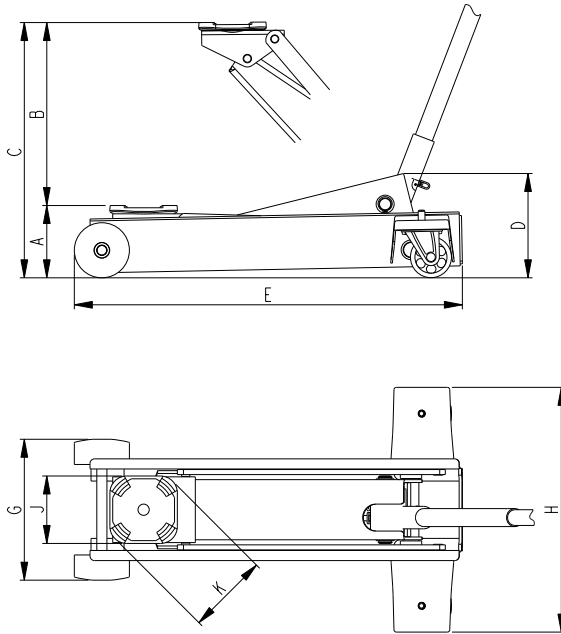




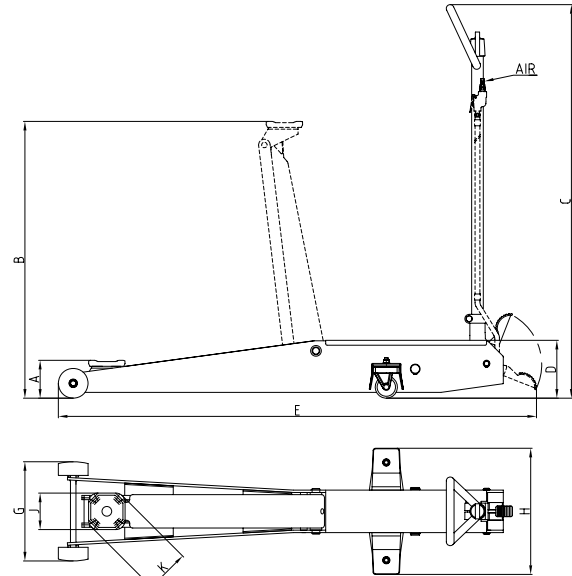
# Technical data

Name	Capacity ton	Min. height mm	Max. height mm	Length ex. lever mm	Weight kg
<b>GH1.5</b>	1.5	135	855	1085	50
<b>GH2</b>	2	127	914	1458	73
<b>GHP2</b>	2	127	910	1510	74

**GH1.5**



**GH2/GHP2**



Name	Capacity ton	A mm	B mm	C mm	D mm	E mm	G mm	H mm	J mm	K mm	Air connection
<b>GH1.5</b>	1.5	135	720	855	190	1085	330	437	120	145	--
<b>GH2</b>	2	115	910	1300	190	1572	330	415	120	145	--
<b>GHP2</b>	2	115	910	1300	190	1621	330	415	120	145	NPT 1/4"



[www.nikehydraulics.com](http://www.nikehydraulics.com)

**NIKE HYDRAULICS AB**  
 Box 1107  
 631 80 Eskilstuna  
 SWEDEN  
 Tel +46 16 - 16 82 00  
 Fax +46 16 - 13 93 16  
 info@nikehydraulics.se

**NIKE HYDRAULICS Inc.**  
 3980 W. Albany, Unit #1  
 MCHENRY, IL 60050  
 USA  
 Tel + 1 815 385 7777  
 Fax + 1 815 385 7776  
 info@nikehydraulics.com

**NIKE POWER EQUIPMENT Ltd.**  
 Unit 6, Stechford Trading Estate  
 Lyndon Road, Stechford  
 BIRMINGHAM B33 8BU, UK  
 Tel +44 121 789 77 07  
 Fax +44 121 789 68 66  
 info@nikehydraulics.co.uk