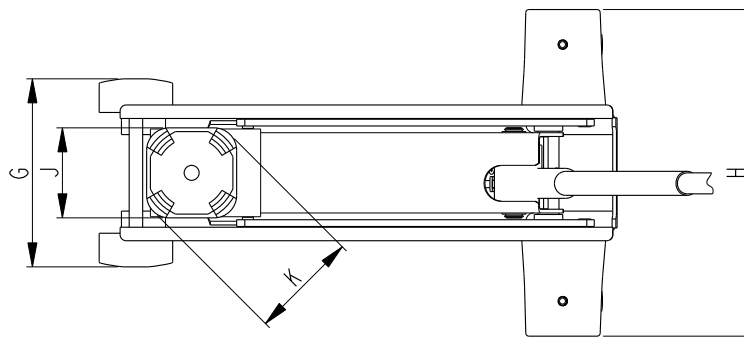
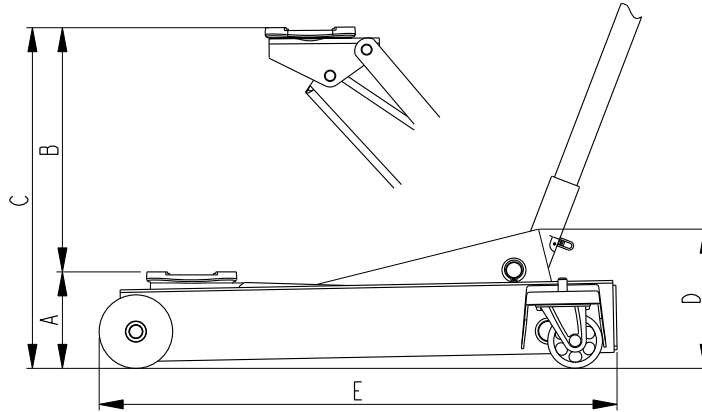




Technical data

Name	Capacity ton	Min. height mm	Max. height mm	Length ex. lever mm	Weight kg
GK1.5	1.5	130	535	650	29
GK2	2	130	535	695	33



Name	Capacity ton	A mm	B mm	C mm	D mm	E mm	G mm	H mm	J mm	K mm
GK1.5	1.5	130	405	535	185	645	250	435	120	145
GK2	2	130	405	535	185	690	252	437	120	145



www.nikehydraulics.com

NIKE HYDRAULICS AB
 Box 1107
 631 80 Eskilstuna
 SWEDEN
 Tel +46 16 - 16 82 00
 Fax +46 16 - 13 93 16
 info@nikehydraulics.se

NIKE HYDRAULICS Inc.
 3980 W. Albany, Unit #1
 MCHENRY, IL 60050
 USA
 Tel + 1 815 385 7777
 Fax + 1 815 385 7776
 info@nikehydraulics.com

NIKE POWER EQUIPMENT Ltd.
 Unit 6, Stechford Trading Estate
 Lyndon Road, Stechford
 BIRMINGHAM B33 8BU, UK
 Tel +44 121 789 77 07
 Fax +44 121 789 68 66
 info@nikehydraulics.co.uk