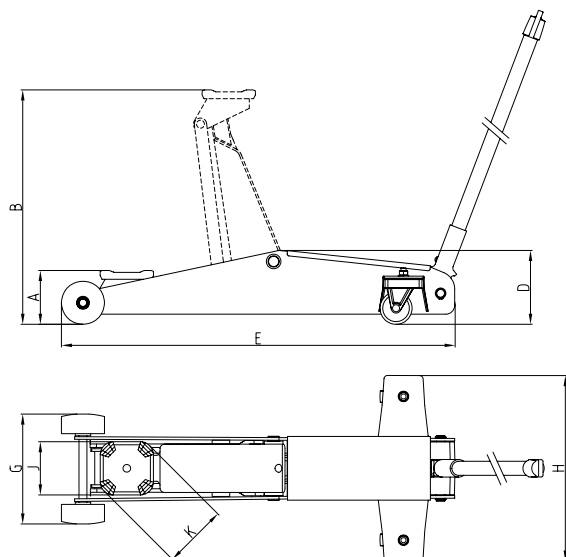




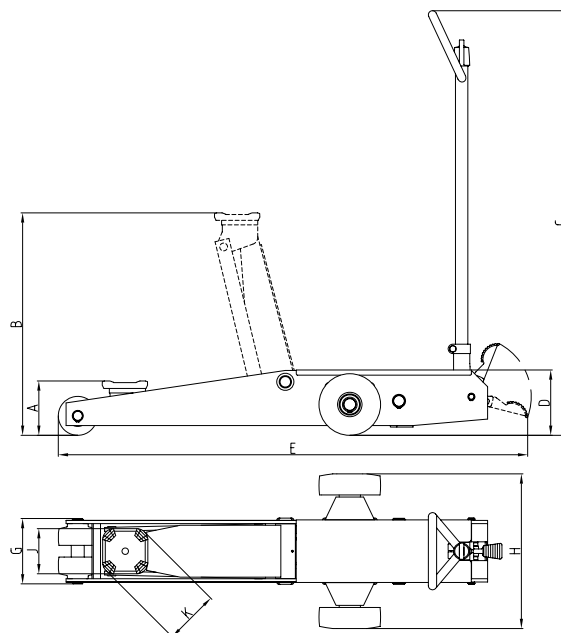
# Technical data

Name	Capacity ton	Min. height mm	Max. height mm	Length ex. lever mm	Weight kg
GN2	2	127	534	908	34
GN5	5	165	685	1460	114
GN10	10	175	685	1520	187

GN2



GN5/GN10



Name	Capacity ton	A mm	B mm	C mm	D mm	E mm	G mm	H mm	J mm	K mm
GN2	2	125	530	--	168	900	250	410	120	145
GN5	5	165	685	1310	200	1460	202	474	140	168
GN10	10	175	686	1355	255	1520	240	515	160	185



**NIKE HYDRAULICS AB**  
 Box 1107  
 631 80 Eskilstuna  
 SWEDEN  
 Tel +46 16 - 16 82 00  
 Fax +46 16 - 13 93 16  
 info@nikehydraulics.se

**NIKE HYDRAULICS Inc.**  
 3980 W. Albany, Unit #1  
 MCHENRY, IL 60050  
 USA  
 Tel + 1 815 385 7777  
 Fax + 1 815 385 7776  
 info@nikehydraulics.com

**NIKE POWER EQUIPMENT Ltd.**  
 Unit 6, Stechford Trading Estate  
 Lyndon Road, Stechford  
 BIRMINGHAM B33 8BU, UK  
 Tel +44 121 789 77 07  
 Fax +44 121 789 68 66  
 info@nikehydraulics.co.uk

[www.nikehydraulics.com](http://www.nikehydraulics.com)