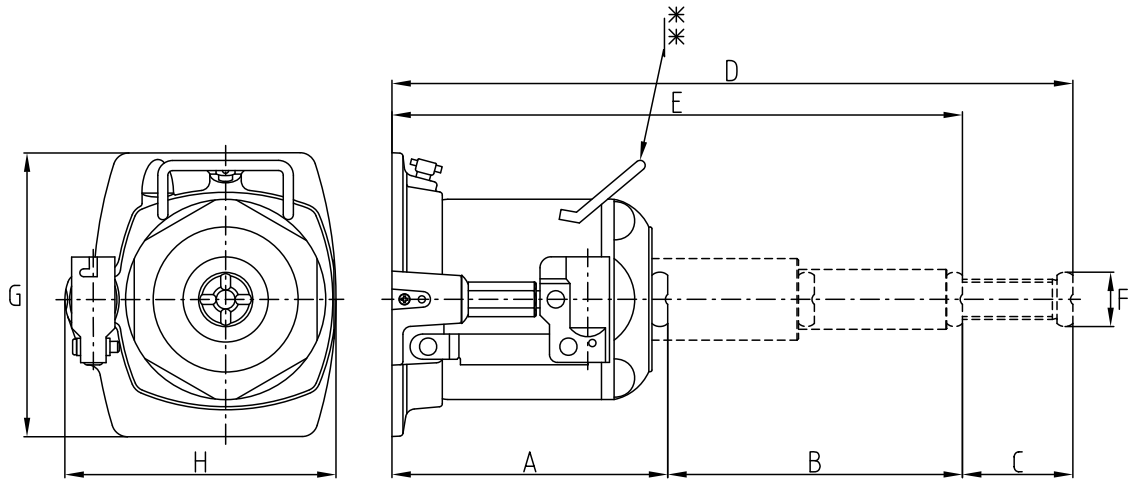




Technical data

Name	Capacity ton	Min. height mm	Max. height mm	Hydr. stroke mm	Adjustm. screw mm	Weight kg
H20T	2	160	400	190	50	4.1
H40T	4	175	445	200	70	5.9
H60T	6	175	439	194	70	7.6
H100T	10	175	432	187	70	11.5



Name	Capacity ton	A mm	B mm	C mm	D mm	F ø mm	G mm	H mm	* Handle
H20T	2	160	187	50	397	25	115	123	--
H40T	4	175	200	70	445	27.5	135	138	--
H60T	6	175	194	70	439	31.5	150	141.5	--
H100T	10	175	187	70	432	34.5	180	172	•



www.nikehydraulics.com

NIKE HYDRAULICS AB
 Box 1107
 631 80 Eskilstuna
 SWEDEN
 Tel +46 16 - 16 82 00
 Fax +46 16 - 13 93 16
 info@nikehydraulics.se

NIKE HYDRAULICS Inc.
 3980 W. Albany, Unit #1
 MCHENRY, IL 60050
 USA
 Tel + 1 815 385 7777
 Fax + 1 815 385 7776
 info@nikehydraulics.com

NIKE POWER EQUIPMENT Ltd.
 Unit 6, Stechford Trading Estate
 Lyndon Road, Stechford
 BIRMINGHAM B33 8BU, UK
 Tel +44 121 789 77 07
 Fax +44 121 789 68 66
 info@nikehydraulics.co.uk