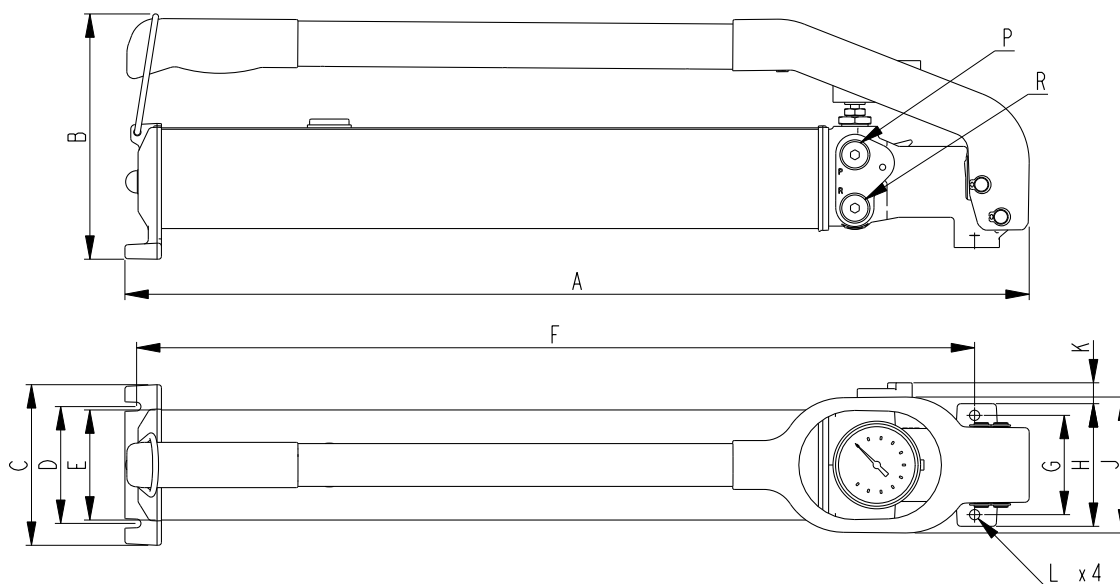




Technical data

Name	Working press. MPa	Eff. oil vol. cm ³	Cap. cm ³ /stroke	Low	High	Pump force N	Pressure-conn.	Return-conn.	Gauge	Length mm	Width mm	Height mm	Weight kg
PHS70-300	70	300	20	1	1	350	G 1/4"	G 1/4"	AMT801	320	110	170	6.0
PHS70-1000	70	1000	20	2	2	320	G 1/4"	G 1/4"	AMT801	620	110	170	8.1
PHS70-2400	70	2400	20	2	2	320	G 1/4"	G 1/4"	AMT801	620	110	170	9.9
PHS70-4000	70	4000	20	2	2	320	G 1/4"	G 1/4"	AMT801	620	185	170	13.7
PHS80-300	80	300	20	1	1	400	G 1/4"	G 1/4"	AMT801	320	110	170	6.0
PHS80-1000	80	1000	20	2	2	360	G 1/4"	G 1/4"	AMT801	620	110	170	8.1
PHS80-2400	80	2400	20	2	2	360	G 1/4"	G 1/4"	AMT801	620	110	170	9.9
PHS80-4000	80	4000	20	2	2	360	G 1/4"	G 1/4"	AMT801	620	185	170	13.7
PHS100-1000	100	1000	20	1	1	230	G 1/4"	G 1/4"	TX104	620	110	170	8.3
PHS100-2400	100	2400	20	1	1	230	G 1/4"	G 1/4"	TX104	620	110	170	10.1
PHS150-1000L	150	1000	20	1	1	370	G 1/4"	G 1/4"	AMT301	620	110	170	8.5
PHS150-1000	150	1000	20	1	1	370	G 1/4"	G 1/4"	TX104	620	110	170	8.3
PHS150-2400L	150	2400	20	1	1	370	G 1/4"	G 1/4"	AMT301	620	110	170	10.3
PHS150-2400	150	2400	20	1	1	370	G 1/4"	G 1/4"	TX104	620	110	170	10.1
PHS240-2400L	240	2400	20	0.7	0.7	460	9/16-18 UNF	G 1/4"	AMT301	620	110	170	10.3



Name	Working press. MPa	Eff. oil vol. cm ³	A mm	B mm	C mm	D mm	E mm	F mm	G mm	H mm	J mm	K mm	L mm	P press. con.	R return con.
PHS70-300	70	300	320	170	110	80	75	275	68	84	93	14	6.6	G 1/4"	G 1/4"
PHS70-1000	70	1000	620	170	110	80	75	575	68	84	93	14	6.6	G 1/4"	G 1/4"
PHS70-2400	70	2400	620	170	110	80	127	575	68	84	93	14	6.6	G 1/4"	G 1/4"
PHS70-4000	70	4000	620	170	185	166	179	545	68	84	93	14	6.6	G 1/4"	G 1/4"
PHS80-300	80	300	320	170	110	80	75	275	68	84	93	14	6.6	G 1/4"	G 1/4"
PHS80-1000	80	1000	620	170	110	80	75	575	68	84	93	14	6.6	G 1/4"	G 1/4"
PHS80-2400	80	2400	620	170	110	80	127	575	68	84	93	14	6.6	G 1/4"	G 1/4"
PHS80-4000	80	4000	620	170	185	166	179	545	68	84	93	14	6.6	G 1/4"	G 1/4"
PHS100-1000	100	1000	620	170	110	80	75	575	68	84	93	14	6.6	G 1/4"	G 1/4"
PHS100-2400	100	2400	620	170	110	80	127	575	68	84	93	14	6.6	G 1/4"	G 1/4"
PHS150-1000L	150	1000	620	170	110	80	75	575	68	84	134	--	6.6	G 1/4"	G 1/4"
PHS150-1000	150	1000	620	170	110	80	75	575	68	84	93	14	6.6	G 1/4"	G 1/4"
PHS150-2400L	150	2400	620	170	110	80	127	575	68	84	134	--	6.6	G 1/4"	G 1/4"
PHS150-2400	150	2400	620	170	110	80	127	575	68	84	93	14	6.6	G 1/4"	G 1/4"
PHS240-2400L	240	2400	620	170	110	80	127	575	68	84	134	--	6.6	9/16-18 UNF	G 1/4"



www.nikehydraulics.com

NIKE HYDRAULICS AB
 Box 1107
 631 80 Eskilstuna
 SWEDEN
 Tel +46 16 - 16 82 00
 Fax +46 16 - 13 93 16
 info@nikehydraulics.se

NIKE HYDRAULICS Inc.
 3980 W. Albany, Unit #1
 MCHENRY, IL 60050
 USA
 Tel + 1 815 385 7777
 Fax + 1 815 385 7776
 info@nikehydraulics.com

NIKE POWER EQUIPMENT Ltd.
 Unit 6, Stechford Trading Estate
 Lyndon Road, Stechford
 BIRMINGHAM B33 8BU, UK
 Tel +44 121 789 77 07
 Fax +44 121 789 68 66
 info@nikehydraulics.co.uk