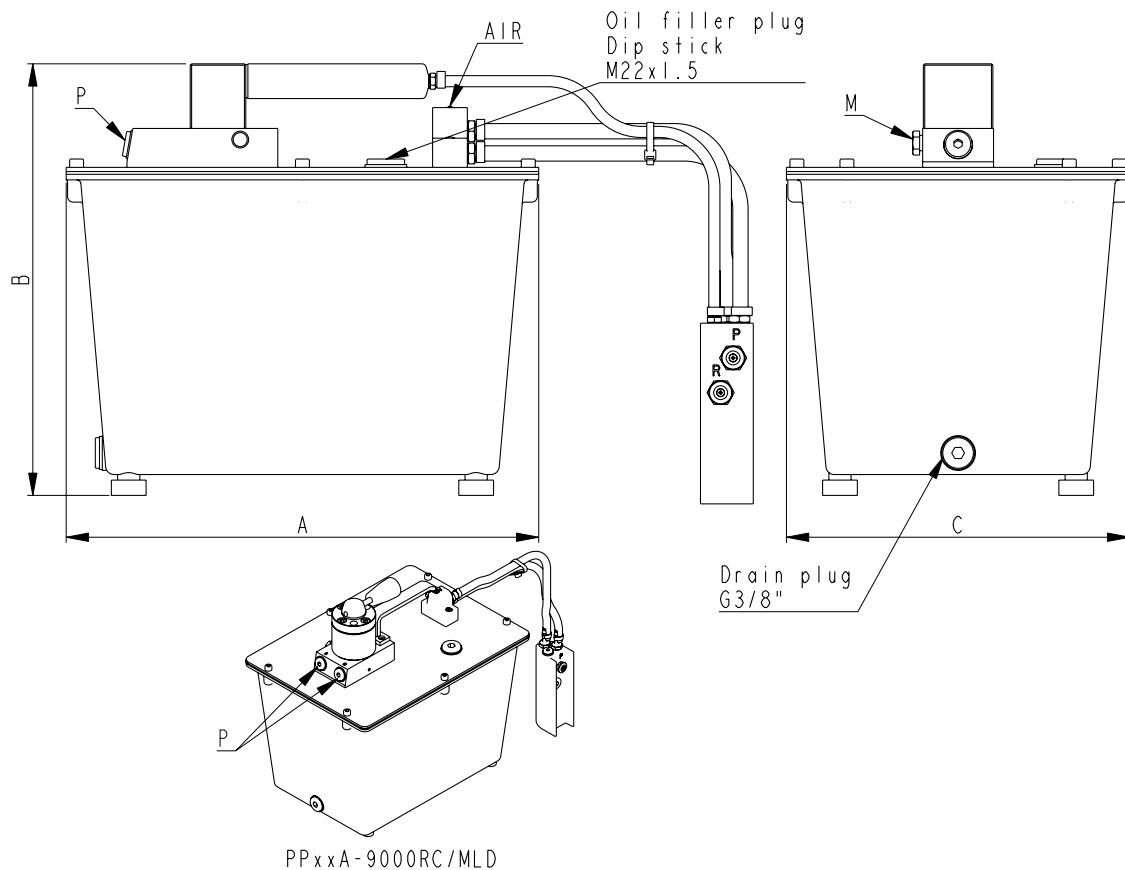




# Technical data

Name	Working press. MPa	Eff. oil vol. cm <sup>3</sup>	Cap. cm <sup>3</sup> /min Low High	Air press. MPa min. max.	Pressure- conn.	Length mm	Width mm	Height mm	Weight kg
PP70-9000RC/MLD	70	9000	1000 200	0.65 1.2	2 x G 1/4"	340	247	349	18.8
PP70-9000RC	70	9000	1000 200	0.65 1.2	G 1/4"	340	247	311	18.4
PP80-9000RC/MLD	80	9000	700 150	0.6 1.2	2 x G 1/4"	340	247	349	18.0
PP80-9000RC	80	9000	700 150	0.6 1.2	G 1/4"	340	247	311	18.0



Name	Working press. MPa	Eff. oil vol. cm <sup>3</sup>	A mm	B mm	C mm	P press. con.	AIR air con.
PP70-9000RC/MLD	70	9000	340	349	247	2 x G 1/4"	G 1/4"
PP70-9000RC	70	9000	340	311	247	G 1/4"	G 1/4"
PP80-9000RC/MLD	80	9000	340	349	247	2 x G 1/4"	G 1/4"
PP80-9000RC	80	9000	340	311	247	G 1/4"	G 1/4"



[www.nikehydraulics.com](http://www.nikehydraulics.com)

**NIKE HYDRAULICS AB**  
 Box 1107  
 631 80 Eskilstuna  
 SWEDEN  
 Tel +46 16 - 16 82 00  
 Fax +46 16 - 13 93 16  
 info@nikehydraulics.se

**NIKE HYDRAULICS Inc.**  
 3980 W. Albany, Unit #1  
 MCHENRY, IL 60050  
 USA  
 Tel + 1 815 385 7777  
 Fax + 1 815 385 7776  
 info@nikehydraulics.com

**NIKE POWER EQUIPMENT Ltd.**  
 Unit 6, Stechford Trading Estate  
 Lyndon Road, Stechford  
 BIRMINGHAM B33 8BU, UK  
 Tel +44 121 789 77 07  
 Fax +44 121 789 68 66  
 info@nikehydraulics.co.uk