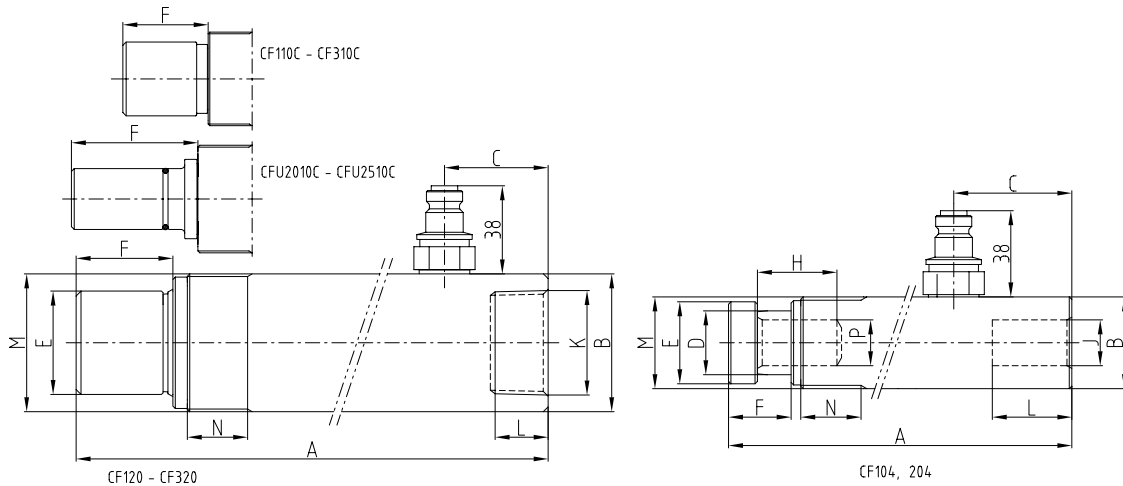


Technical data



Name	Capacity push kN (t)	Stroke mm	Stroke vol. cm ³	Piston ø mm	Piston area cm ²	Height mm	Diameter mm	Weight kg
CF104	49(5)	127	90	27	7.1	266	37.5	1.7
CF204	49(5)	200	142	27	7.1	339	37.5	2.4
CF110	111(11)	150	239	38	15.9	321	56.5	4.7
CF210	111(11)	200	318	38	15.9	372	56.5	5.5
CFU2010	111(11)	200	318	38	15.9	387	56.5	5.3
CFU2510	111(11)	250	398	38	15.9	437	56.5	6
CF310	111(11)	300	477	38	15.9	474	56.5	7
CF120	232(24)	127	422	60	33.2	337	84	10.2
CF220	232(24)	200	664	60	33.2	410	84	12.4
CF320	232(24)	300	996	60	33.2	510	84	16



Name	Capacity push kN (t)	A mm	B ø mm	C mm	D ø mm	E ø mm	F mm	H mm	J mm	K	L mm	M	N mm	P ø mm
CF104	49(5)	266	37.5	49	26.5	34	25	33	19	--	33	1 1/2"-16	25	19
CF204	49(5)	339	37.5	49	26.5	34	25	33	19	--	33	1 1/2"-16	25	19
CF110	111(11)	321	56.5	43	38	45	52	--	--	1 1/4"-11 1/2 NPT	22	2 1/4"-14	27	--
CF210	111(11)	372	56.5	43	38	45	52	--	--	1 1/4"-11 1/2 NPT	22	2 1/4"-14	27	--
CFU2010	111(11)	387	56.5	43	38	32	67	--	--	1 1/4"-11 1/2 NPT	22	2 1/4"-14	27	--
CFU2510	111(11)	437	56.5	43	38	32	67	--	--	1 1/4"-11 1/2 NPT	22	2 1/4"-14	27	--
CF310	111(11)	474	56.5	43	38	45	52	--	--	1 1/4"-11 1/2 NPT	22	2 1/4"-14	27	--
CF120	232(24)	337	84	41	60	63	59	--	--	2"-11 1/2 NPT	22	3 5/6"-12	25	--
CF220	232(24)	410	84	41	60	63	59	--	--	2"-11 1/2 NPT	22	3 5/6"-12	25	--
CF320	232(24)	510	84	41	60	63	59	--	--	2"-11 1/2 NPT	22	3 5/6"-12	25	--



www.nikehydraulics.com

NIKE HYDRAULICS AB
 Box 1107
 631 80 Eskilstuna
 SWEDEN
 Tel +46 16 - 16 82 00
 Fax +46 16 - 13 93 16
 info@nikehydraulics.se

NIKE HYDRAULICS Inc.
 3980 W. Albany, Unit #1
 MCHENRY, IL 60050
 USA
 Tel + 1 815 385 7777
 Fax + 1 815 385 7776
 info@nikehydraulics.com

NIKE POWER EQUIPMENT Ltd.
 Unit 6, Stechford Trading Estate
 Lyndon Road, Stechford
 BIRMINGHAM B33 8BU, UK
 Tel +44 121 789 77 07
 Fax +44 121 789 68 66
 info@nikehydraulics.co.uk