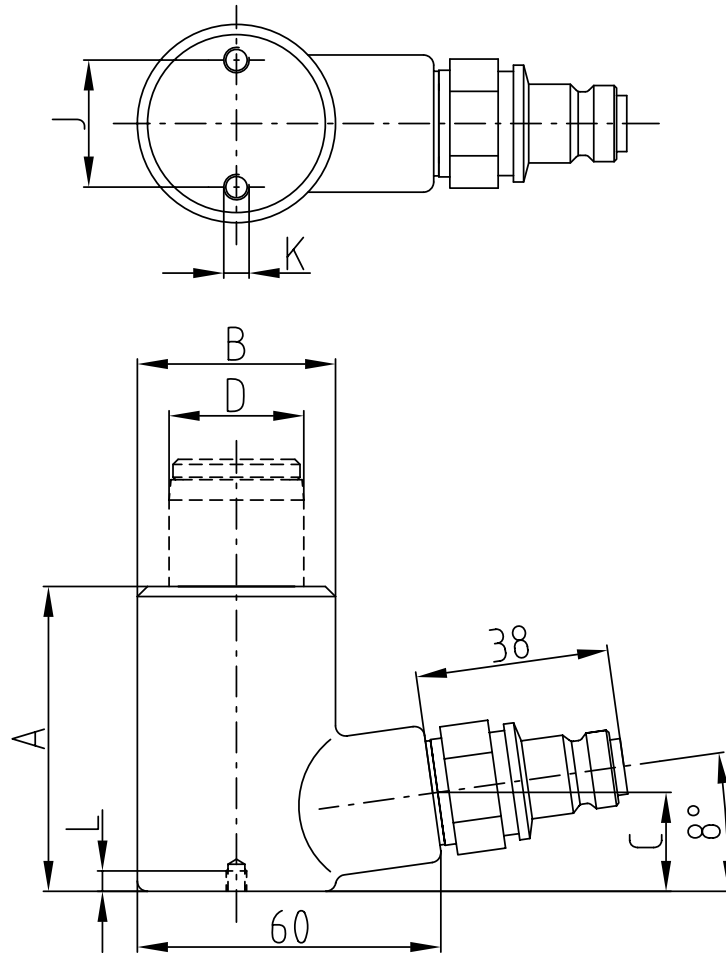




# Technical data

Name	Capacity push kN (t)	Stroke mm	Stroke vol. cm <sup>3</sup>	Piston ø mm	Piston area cm <sup>2</sup>	Height mm	Diameter mm	Weight kg
CL50-25	49(5)	25	18	26	7.1	60	39	0.7



CL 50-25

Name	Capacity push kN (t)	A mm	B ø mm	C mm	D ø mm	J mm	K	L mm	Y mm
CL50-25	49(5)	60	39	19	26	25	M5	4	--



[www.nikehydraulics.com](http://www.nikehydraulics.com)

**NIKE HYDRAULICS AB**  
 Box 1107  
 631 80 Eskilstuna  
 SWEDEN  
 Tel +46 16 - 16 82 00  
 Fax +46 16 - 13 93 16  
 info@nikehydraulics.se

**NIKE HYDRAULICS Inc.**  
 3980 W. Albany, Unit #1  
 MCHENRY, IL 60050  
 USA  
 Tel + 1 815 385 7777  
 Fax + 1 815 385 7776  
 info@nikehydraulics.com

**NIKE POWER EQUIPMENT Ltd.**  
 Unit 6, Stechford Trading Estate  
 Lyndon Road, Stechford  
 BIRMINGHAM B33 8BU, UK  
 Tel +44 121 789 77 07  
 Fax +44 121 789 68 66  
 info@nikehydraulics.co.uk