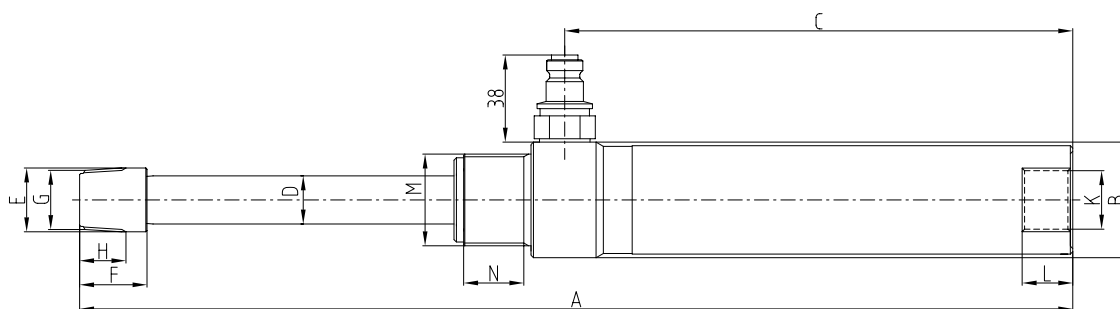


Technical data



| Name | Capacity pull kN (t) | Stroke mm | Stroke vol. cm ³ | Piston ø mm | Piston area cm ² | Height mm | Diameter mm | Weight kg |
|---------------|----------------------|-----------|-----------------------------|-------------|-----------------------------|-----------|-------------|-----------|
| CPF705 | 45(5) | 125 | 80 | 20 | 6 | 412 | 48 | 2.4 |
| CPF709 | 110(11) | 127 | 199 | 32 | 16 | 436 | 70 | 5.9 |



CPF 705, 709

| Name | Capacity pull kN (t) | A mm | B ø mm | C mm | D ø mm | E ø mm | F mm | G | H mm | K | L mm | M mm | N mm |
|---------------|----------------------|------|--------|------|--------|--------|------|-------------------|------|-------------------|------|-------------|------|
| CPF705 | 45(5) | 412 | 48 | 211 | 20 | 26.5 | 28 | 3/4"-14 NPT | 17.5 | 3/4"-14 NPT | 20 | 1 1/2"-16UN | 25 |
| CPF709 | 110(11) | 436 | 70 | 215 | 32 | 46 | 35 | 1 1/4"-11 1/2 NPT | 25.9 | 1 1/4"-11 1/2 NPT | 20 | 2 1/4"-14UN | 26 |



www.nikehydraulics.com

NIKE HYDRAULICS AB
 Box 1107
 631 80 Eskilstuna
 SWEDEN
 Tel +46 16 - 16 82 00
 Fax +46 16 - 13 93 16
 info@nikehydraulics.se

NIKE HYDRAULICS Inc.
 3980 W. Albany, Unit #1
 MCHENRY, IL 60050
 USA
 Tel + 1 815 385 7777
 Fax + 1 815 385 7776
 info@nikehydraulics.com

NIKE POWER EQUIPMENT Ltd.
 Unit 6, Stechford Trading Estate
 Lyndon Road, Stechford
 BIRMINGHAM B33 8BU, UK
 Tel +44 121 789 77 07
 Fax +44 121 789 68 66
 info@nikehydraulics.co.uk